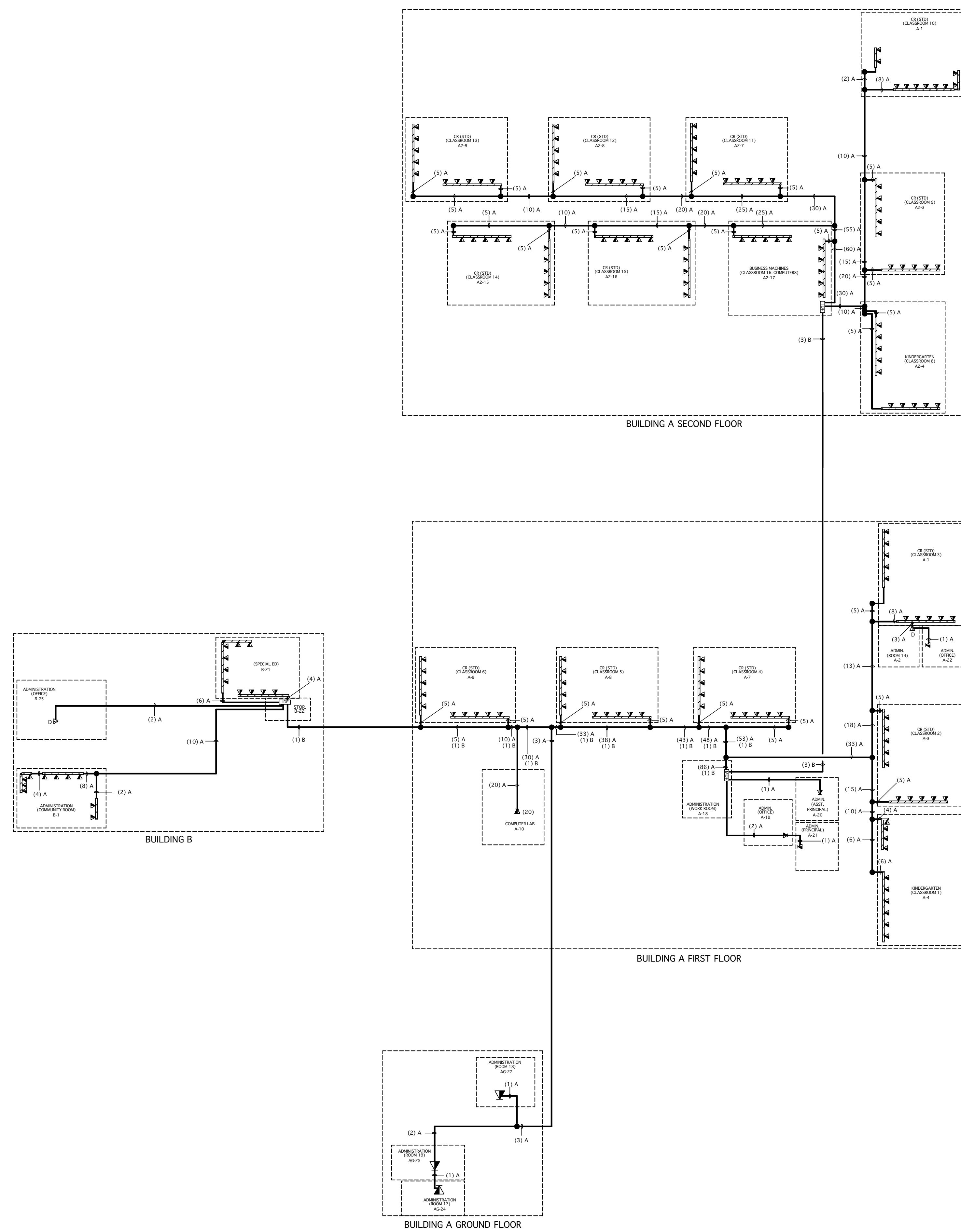
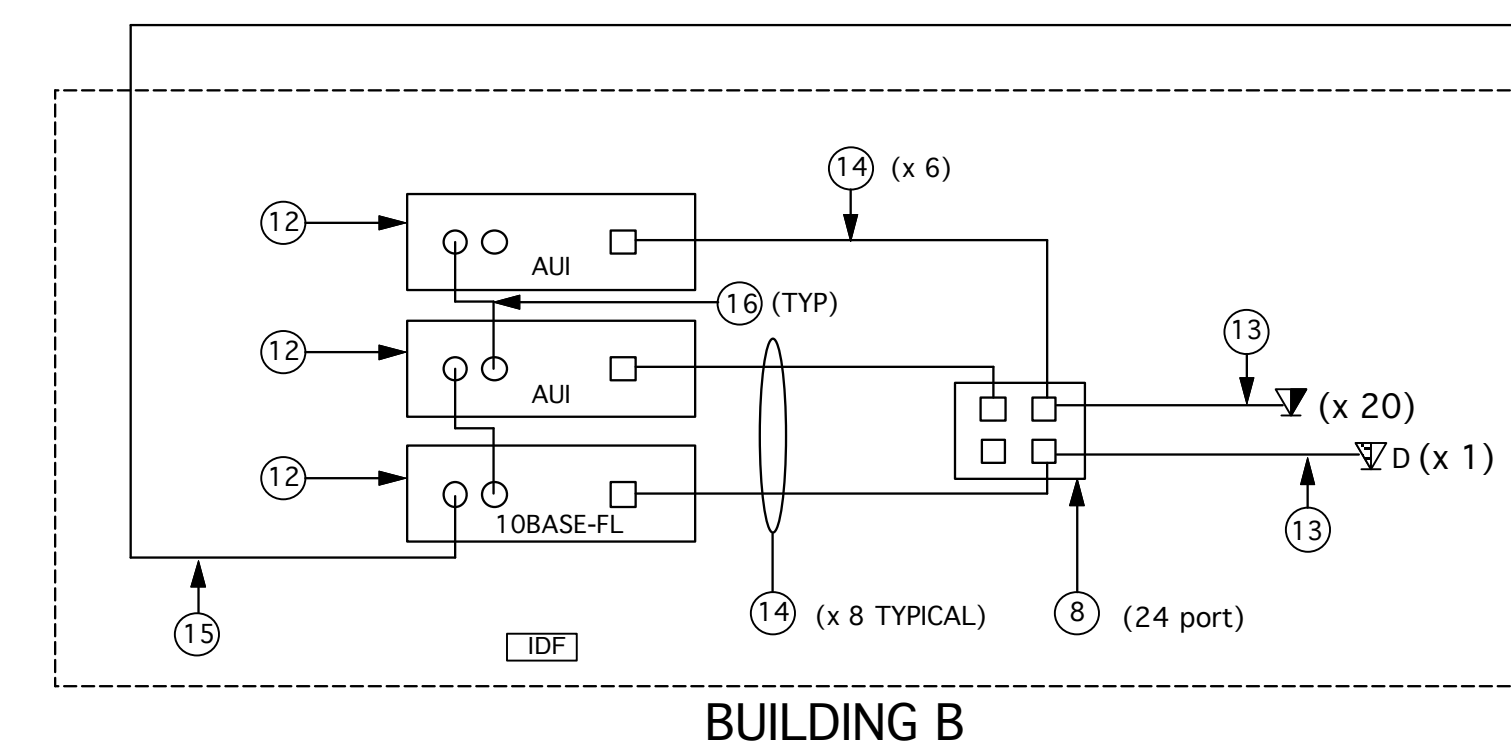


SAMPLE DRAWINGS ONLY - NOT FOR DISTRIBUTION

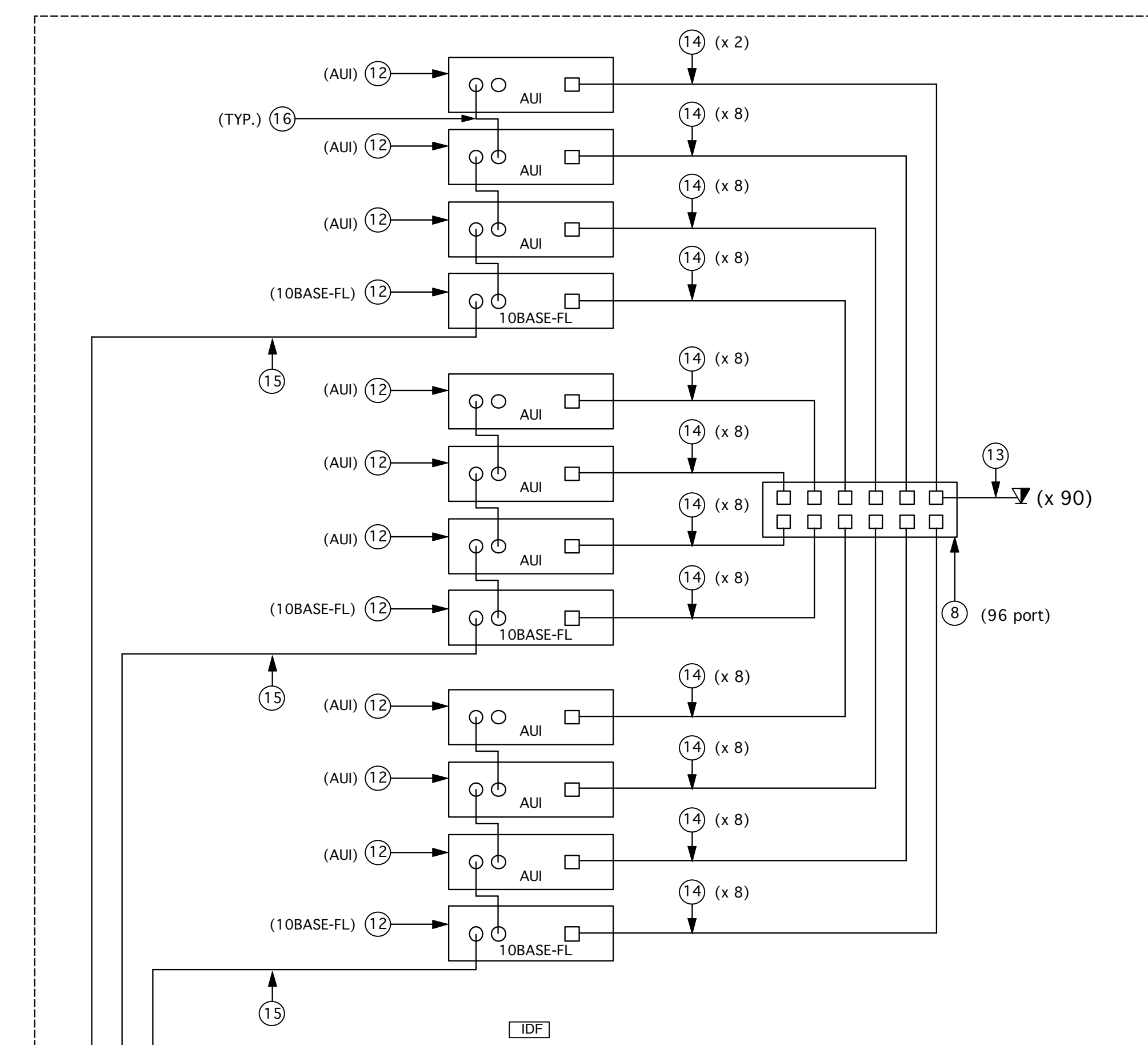


DATA NETWORK WIRING SCHEMATIC DIAGRAM

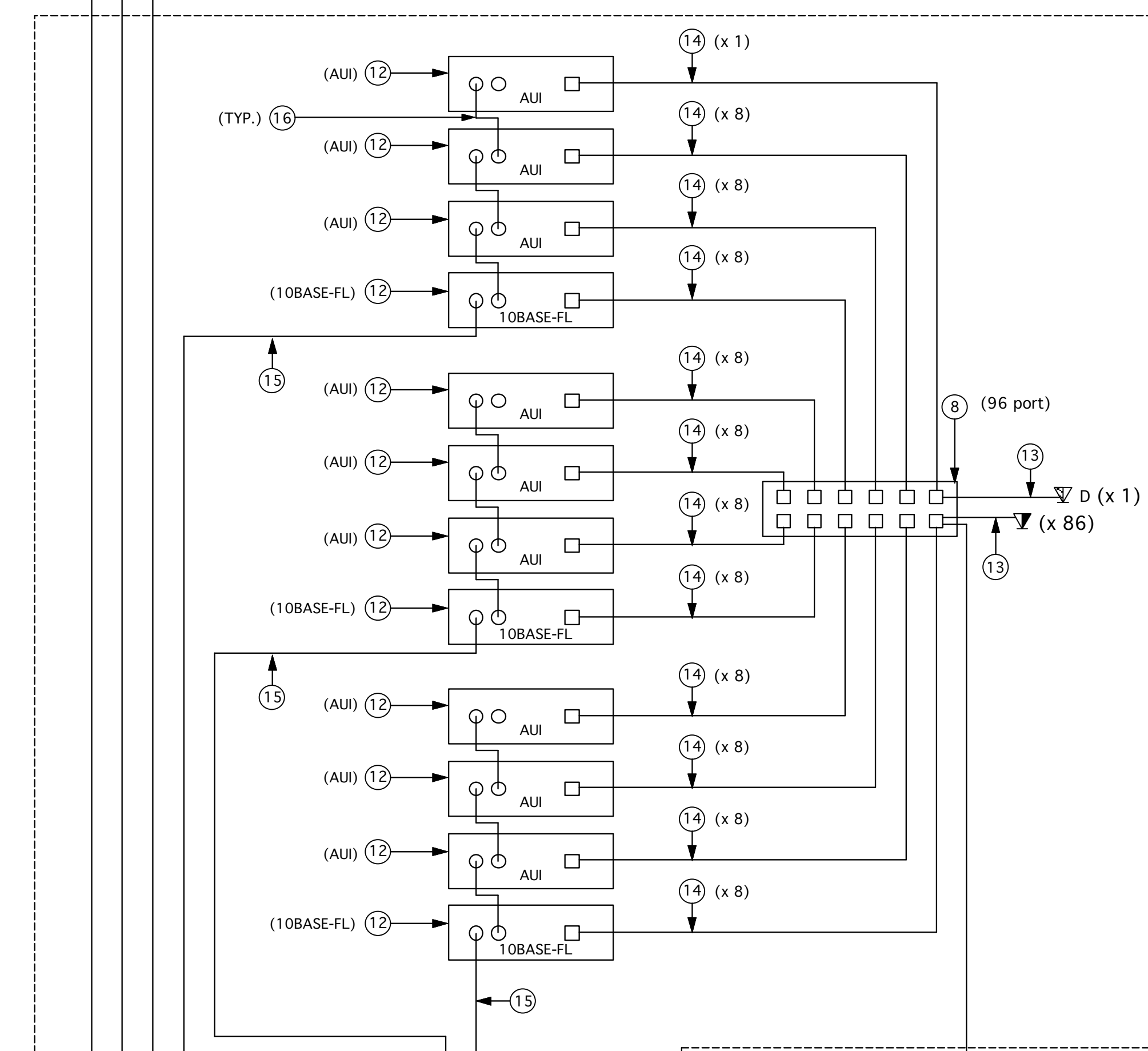
EQUIPMENT LEGEND			
①	Isoduct	Wiremold AL4000	(by ELECT. CONT.)
②	Modular Jack Insert	Wiremold 2A-U1KEY	(by ELECT. CONT.)
③	Modular Data Jack	AMP 569012-2	
④	Modular Data Jack, Double	AMP 569012-2	
⑤	Face Plate Assembly:		
	Low Profile Faceplate	AMP 569084-1	
	Blank Insert	AMP 557626-1	
⑥	Surface Box:		
	Single Gang	AMP 558251-1	(by ELECT. CONT.)
⑦	LightCrimp ST Connector	AMP 504034-1	
⑧	Category 5 Patch Panel:		
	T568A 24 port	AMP 557860-1	
	T568A 96 port	AMP 557863-1	
⑨	Fiber Optic Patch Panel	AMP 503063-1	
⑩	16 Port Ethernet Concentrator	AMP 317032-1	
⑪	Ethernet, Fiber Optic Drop Card	AMP 317011-1	
⑫	Microstack Data Hub:		
	with AUI	AMP 98500-1	
	with 10BASE-FL	AMP 98680-1	
⑬	Category 5 Cable	AMP 57248-1	
⑭	Category 5 Patch Cord	AMP 558048-6	
⑮	Fiber Optic Cable, 4 fiber	AMP 502988-1	
⑯	Fiber Optic Jumper Cable	AMP 503547-4	
IDF	Computer System Hub, Intermediate		
MDP	Computer System Hub, Master		



BUILDING B

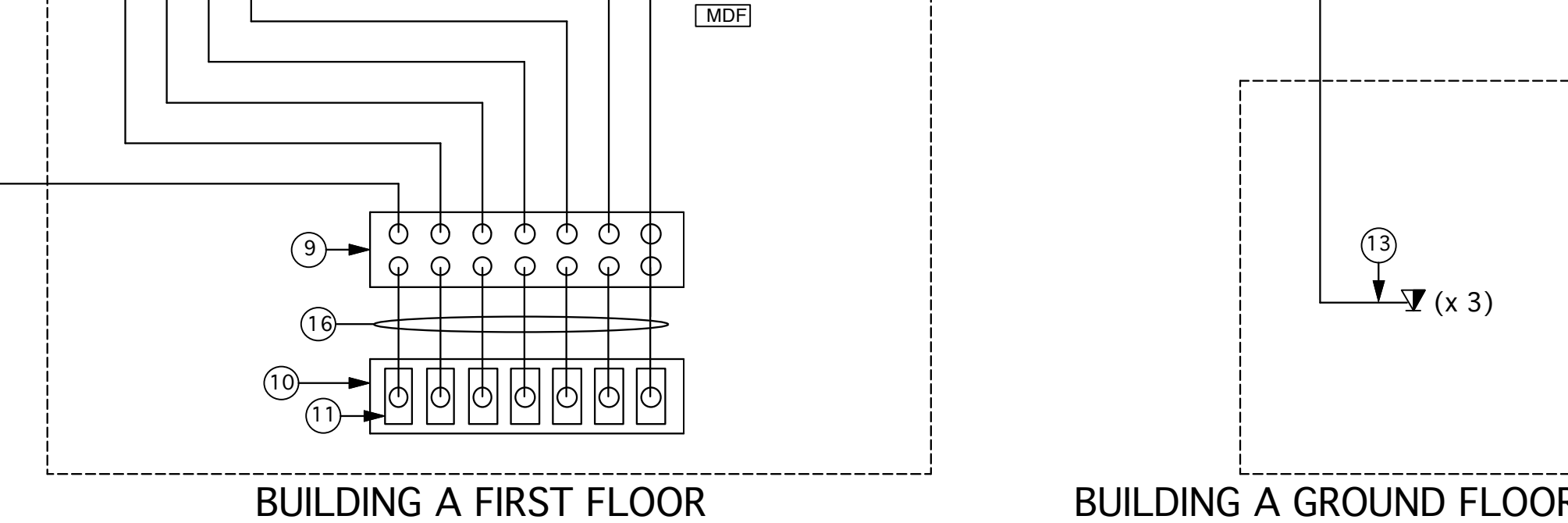


BUILDING A SECOND FLOOR



BUILDING A FIRST FLOOR

DATA NETWORK BLOCK DIAGRAM



BUILDING A GROUND FLOOR

CONDUIT FILL TABLE										
CONDUIT FILL TABLE	DIA	1/2"	3/4"	1"	1-1/4"	1-1/2"	2"	2-1/2"	3"	TURNING RADIUS
A	AMP NO. 57248-1 CAT 5 PVC CABLE	.200 IN	3	6	10	19	26	42	61	93
B	AMP NO. 502988-1 FIBER OPTIC (4) STRAND	.204 IN	3	6	10	18	25	40	58	90

PERMISSIBLE AREA TO BE OCCUPIED. NATIONAL ELECTRICAL CODE STANDARD
 BASED ON 40% FILL APPLIES TO INSTALLATION OF 3 OR MORE CABLE IN A CONDUIT.
 A SINGLE CABLE IS PERMITTED TO OCCUPY 53%, AND TWO CABLES ARE LIMITED TO 31% CONDUIT FILL

GENERAL SHEET NOTES

- REFER TO SHEET D3.0 FOR PRODUCT INFORMATION.
- ALL CABLES TO BE CONTINUOUS WITH NO SPLICES.
- ALL CABLES TO BE LABELED AT BOTH ENDS.
- ELECTRICAL CONTRACTOR TO PROVIDE PULL STRINGS IN ALL PROVIDED CONDUIT
- CONDUIT TO ACCOMMODATE MINIMUM BENDING RADIUS FOR FIBER OPTIC CABLING.

DRAWING INDEX

- D1.0 WIRING SCHEMATIC AND ROUTING
- D2.1 BUILDING A GROUND FLOOR
- D2.2 BUILDING A FIRST FLOOR
- D2.3 BUILDING A SECOND FLOOR
- D2.4 BUILDING B
- D3.0 PRODUCT SPECIFICATION SHEETS

Company Logo

Company Name

Street Address
 Address continued
 City, State & Zip
 phone #
 fax #

PROJECT NAME HERE

City, State & ZIP

Street Address

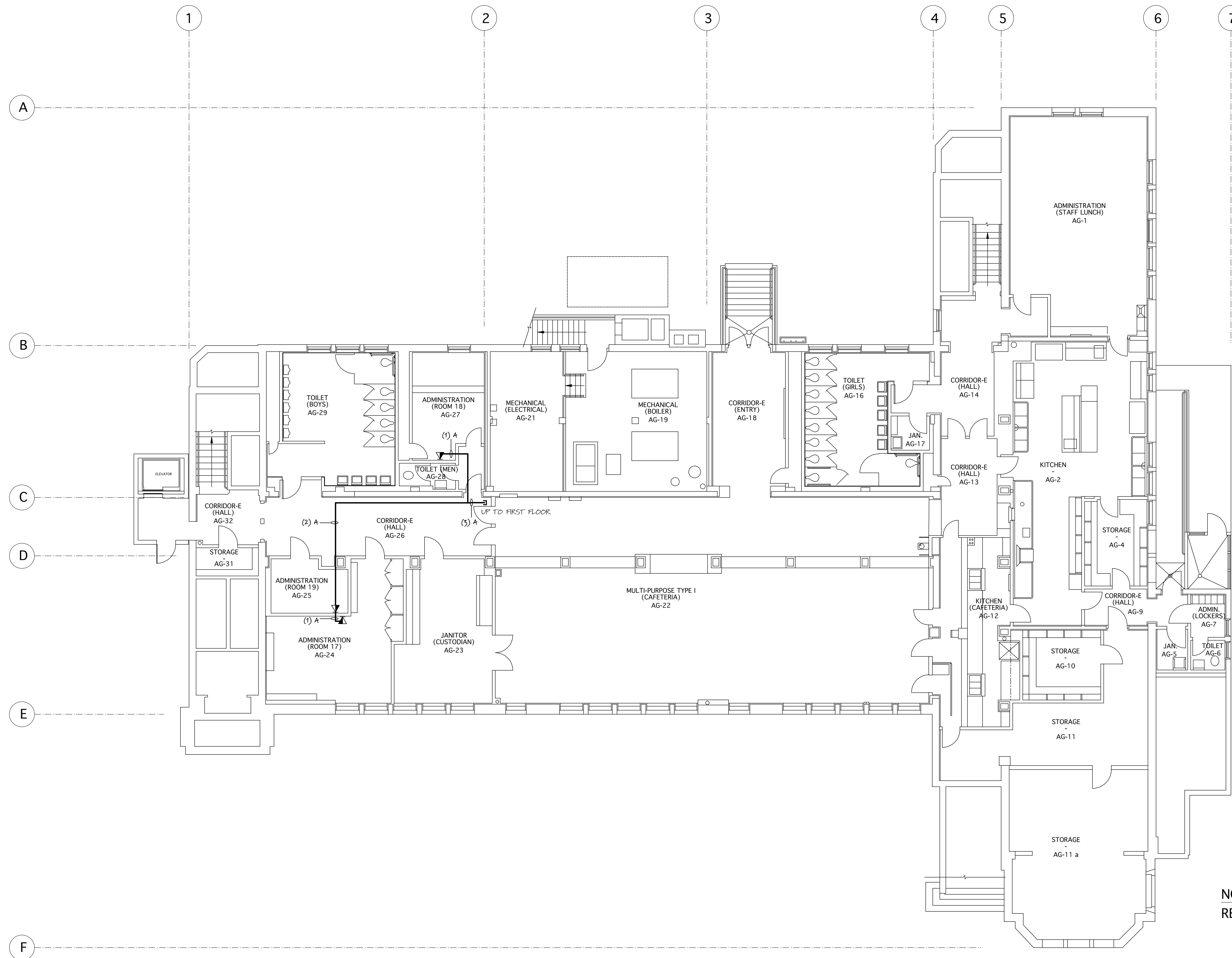
Revisions		
No.	Date	Description
01	01/22/98	Preliminary Design
02	02/10/98	Submittal

Sheet Title
WIRING SCHEMATIC AND ROUTING

Date	01/22/98	Drawn By	A. EBY
Scale	NONE	Sheet No.	
Job No.			
Approved			

PROJECT NAME

SAMPLE DRAWINGS ONLY - NOT FOR DISTRIBUTION

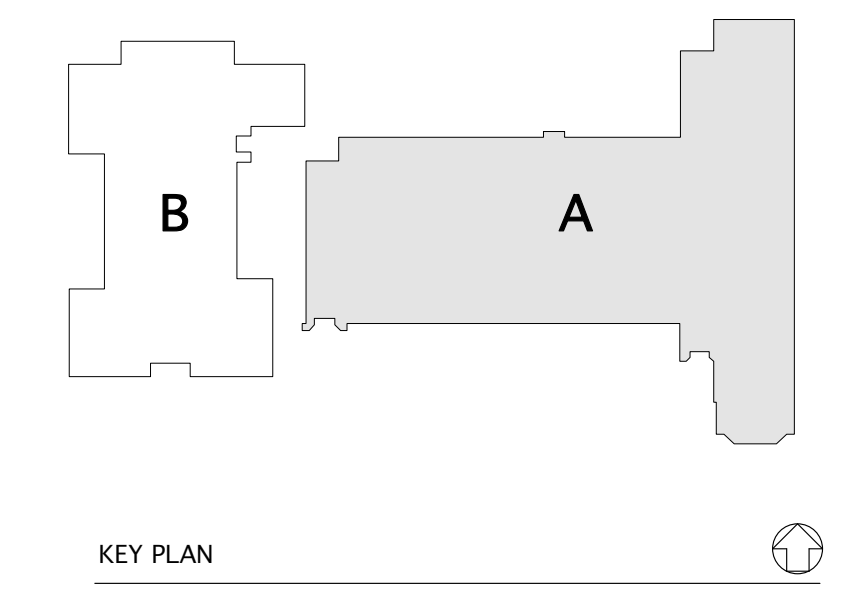


NOTE:
REFER TO SHEET D1.0 FOR CABLE ROUTING

CONDUIT FILL TABLE											
CONDUIT FILL TABLE		DIA	1/2"	3/4"	1"	1-1/4"	1-1/2"	2"	2-1/2"	3"	TURNING RADIUS
A	AMP NO. 57248-1 CAT 5 PVC CABLE	.200 IN	3	6	10	19	26	42	61	93	
B	AMP NO. 502988-1 FIBER OPTIC (4) STRAND	.204 IN	3	6	10	18	25	40	58	90	2.83 IN

PERMISSIBLE AREA TO BE OCCUPIED. NATIONAL ELECTRICAL CODE STANDARD
BASED ON 40% FILL. APPLIES TO INSTALLATION OF 3 OR MORE CABLE IN A CONDUIT.
A SINGLE CABLE IS PERMITTED TO OCCUPY 53%, AND TWO CABLES ARE LIMITED TO 31% CONDUIT FILL.

GROUND FLOOR PLAN - BUILDING A



Company Logo
Company Name
Street Address
Address continued
City, State & Zip
phone #
fax #

PROJECT NAME HERE
City, State & ZIP
Street Address

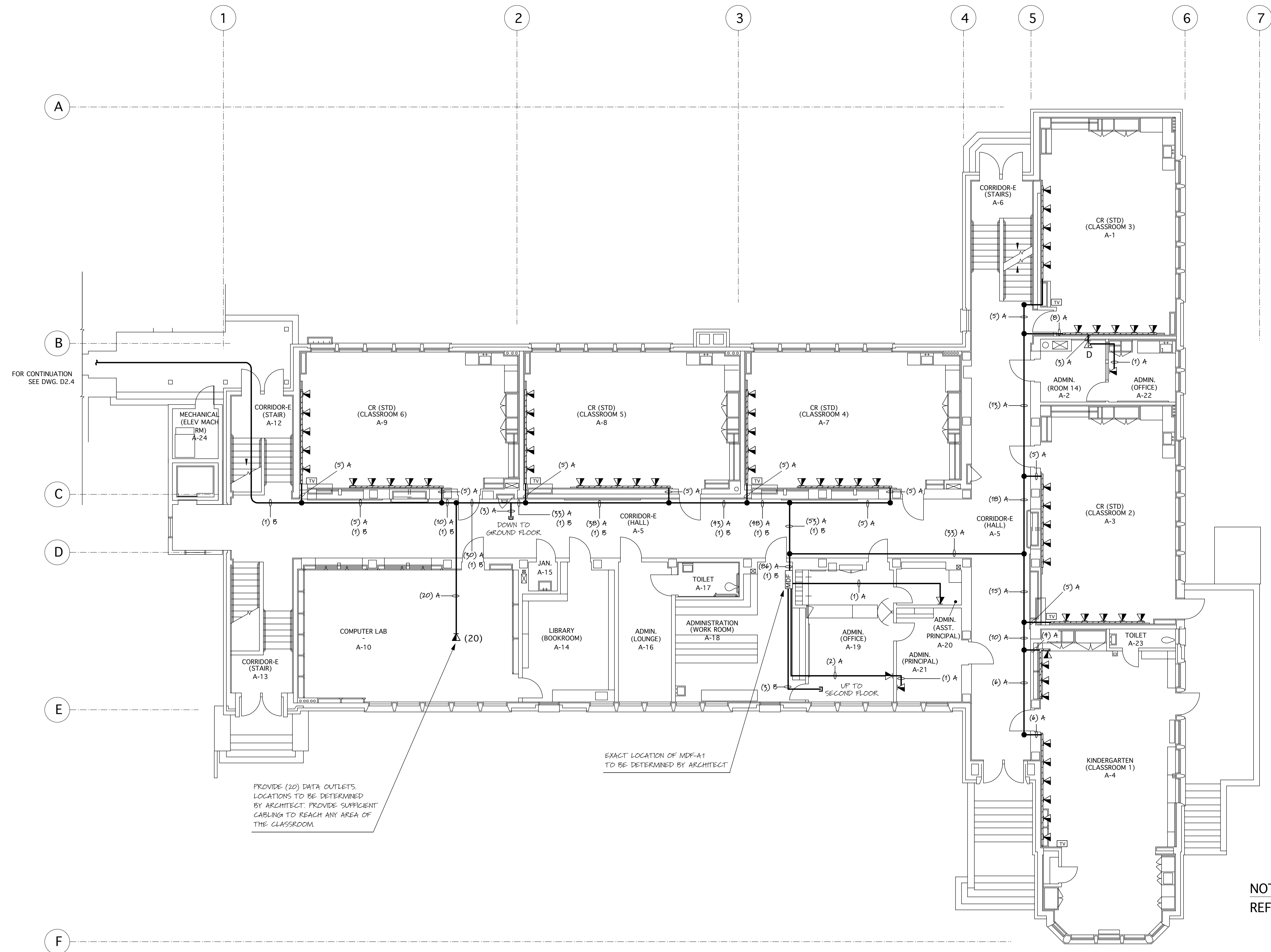
Revisions		
No.	Date	Description
01	01/22/98	Preliminary Design
02	02/10/98	Submittal

Sheet Title
Ground Floor Building A

Date: 01/22/98 Drawn By: A. EBY
Scale: 1/8" = 1'-0" Sheet No.:
Job No.: **D2.1**
Approved:

PROJECT NAME

SAMPLE DRAWINGS ONLY - NOT FOR DISTRIBUTION



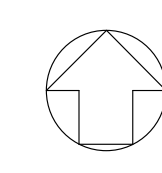
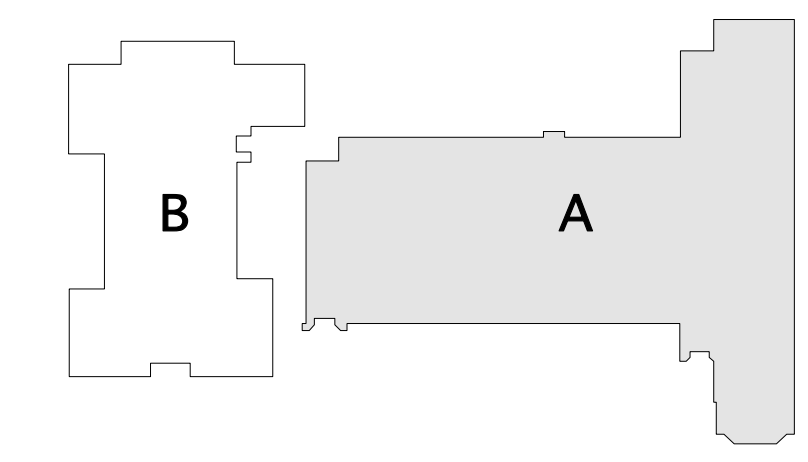
PROVIDE (20) DATA OUTLETS LOCATIONS TO BE DETERMINED BY ARCHITECT. PROVIDE SURFICENT CABLING TO REACH ANY AREA OF THE CLASSROOM.

EXACT LOCATION OF IDF-A1 TO BE DETERMINED BY ARCHITECT

NOTE:
REFER TO SHEET D1.0 FOR CABLE ROUTING

CONDUIT FILL TABLE										
CONDUIT FILL TABLE	DIA	1/2"	3/4"	1"	1-1/4"	1-1/2"	2"	2-1/2"	3"	TURNING RADIUS
A	AMP NO. 57248-1 CAT 5 PVC CABLE	.200 IN	3	6	10	19	26	42	61	93
B	AMP NO. 502988-1 FIBER OPTIC (4) STRAND	.204 IN	3	6	10	18	25	40	58	90
PERMISSIBLE AREA TO BE OCCUPIED. NATIONAL ELECTRICAL CODE STANDARD BASED ON 40% FILL. APPLIES TO INSTALLATION OF 3 OR MORE CABLE IN A CONDUIT. A SINGLE CABLE IS PERMITTED TO OCCUPY 53%, AND TWO CABLES ARE LIMITED TO 31% CONDUIT FILL.										

FIRST FLOOR PLAN - BUILDING A



Company Logo
Company Name
Street Address
Address continued
City, State & Zip
phone #
fax #

PROJECT NAME HERE
City, State & ZIP
Street Address

Revisions		
No.	Date	Description
01	01/22/98	Preliminary Design
02	02/10/98	Submittal

Sheet Title
First Floor Building A

Date: 01/22/98 Drawn By: A. EBY
Scale: 1/8" = 1'-0" Sheet No.:
Job No.: **D2.2**
Approved:

PROJECT NAME